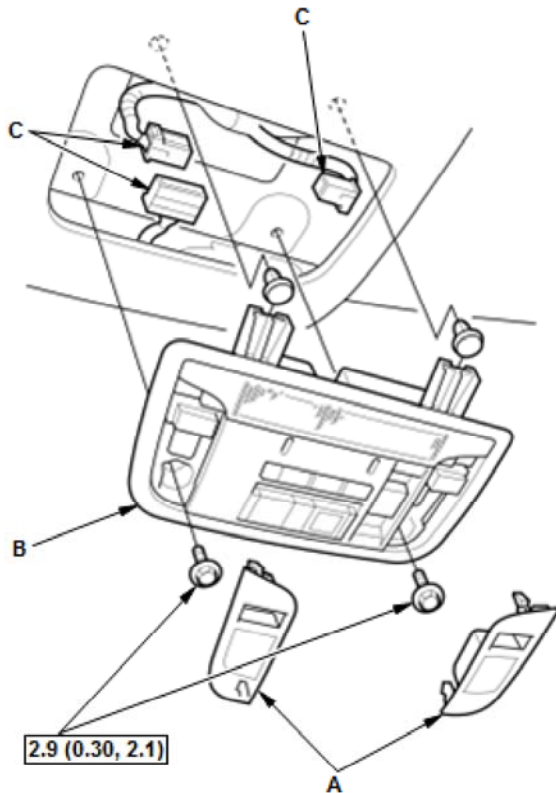


Roof Console Module Removal and Installation

Removal/Installation

NOTE: [How to read the torque specifications.](#)

1. Roof Console - Remove



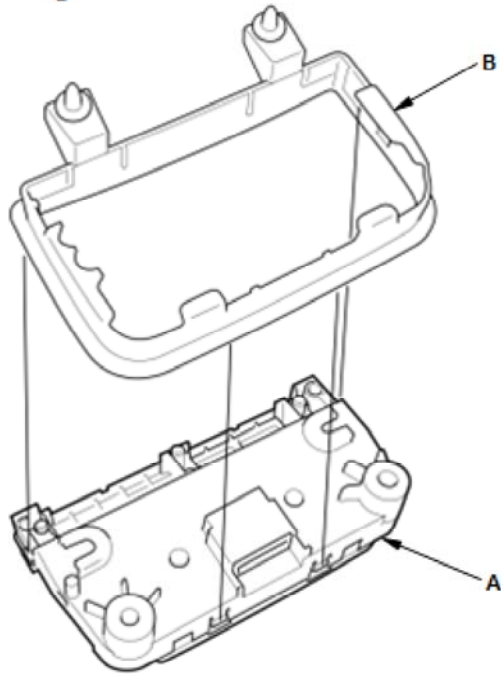
1. Turn the individual map light switch OFF.
2. Carefully pry off the lenses (A).
3. Remove the roof console (B).
4. Disconnect the connectors (C).

2. HomeLink Unit - Remove

3. HFL-ANC/Active Sound Control Microphone - Remove

4. Roof Console Module - Remove

Individual Map Light: LED
Ambient Light: LED



5. All Removed Parts - Install

1. Install the parts in the reverse order of removal.