

November 29, 2017

07620 Version 1

MIL Comes On with DTC P0128

AFFECTED VEHICLES

Year	Model	Trim	VIN range
2017	NSX	ALL	ALL

SYMPTOM

The MIL comes on with DTC P0128 (Cooling System Malfunction).

POSSIBLE CAUSES

The thermostat inner seal detaches and allows the thermostat to be held open. This causes the coolant temperature to incorrectly increase higher than the expected rate.

CORRECTIVE ACTION

Replace the thermostat.

REQUIRED MATERIALS

Part Name	Part Number	Quantity
Acura Long-Life Antifreeze/Coolant Type 2	OL999-9011A	3

TOOL INFORMATION

Part Name	Part Number	Quantity
Rear Platform	07AAK-T6NA100	1

NOTE: The rear platform is a required dealer tool. If you need another one, call the Acura Tool and Equipment program at **888-424-6857**

PARTS INFORMATION

Part Name	Part Number	Quantity
Thermostat	19301-58G-A00	1
Washers (8 mm)	90471-580-000	2

CLIENT INFORMATION: The information in this bulletin is intended for use only by skilled technicians who have the proper tools, equipment, and training to correctly and safely maintain your vehicle. These procedures should not be attempted by "do-it-yourselfers," and you should not assume this bulletin applies to your vehicle, or that your vehicle has the condition described. To determine whether this information applies, contact an authorized Acura automobile dealer.

WARRANTY CLAIM INFORMATION

The normal warranty applies.

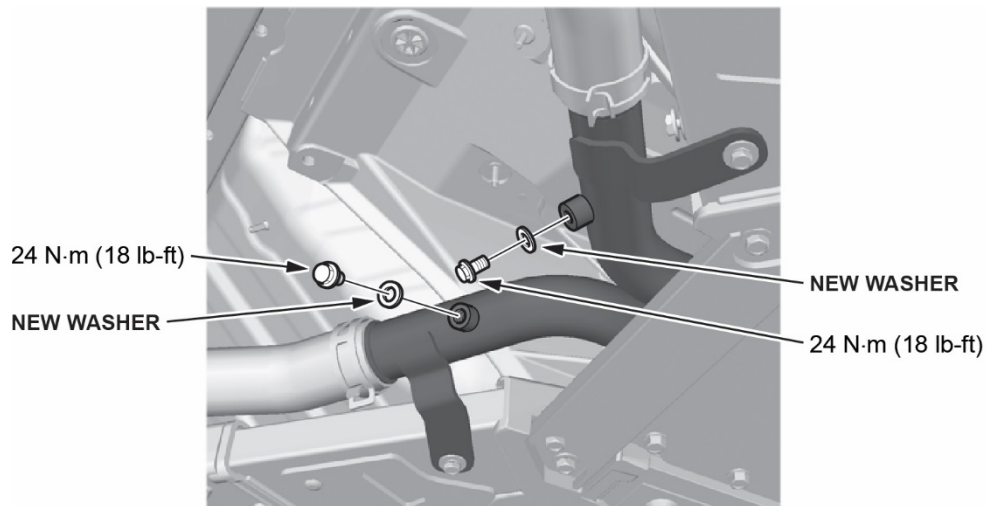
Operation Number	Description	Flat Rate Time	Defect Code	Symptom Code	Template ID	Failed Part Number
1141B4	Replace the thermostat	4.1 hrs.	05701	03214	B17048A	19301-58G-A00

Skill Level: Repair Technician

REPAIR PROCEDURE

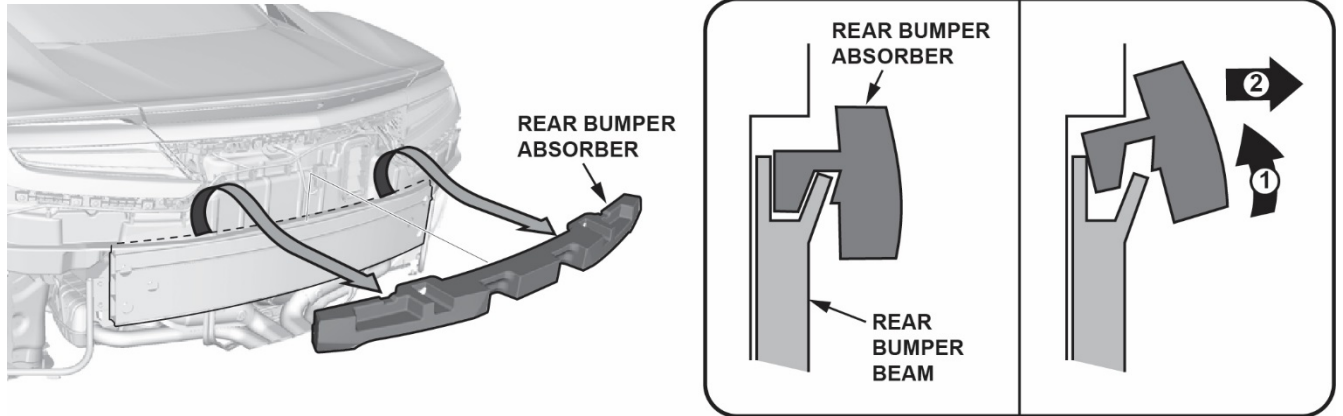
1. Remove all the engine room covers. Refer to the service information.
2. Do the water valve open procedure.
 - Turn the vehicle to the READY TO DRIVE mode.
 - Select the SPORT+ mode.
 - Turn on the A/C, and set the heater temperature to maximum hot.
 - Turn the vehicle to the OFF (LOCK) mode.
3. Wait until the engine is cool, then carefully remove the expansion tank cap.
4. Drain the engine coolant only from the water pipe underneath the car.

NOTE: After the coolant has drained, reinstall the drain bolts with new washers. See PARTS INFORMATION.



5. Remove the rear bumper cover. Refer to the service information.
6. Remove the left and right rear inner fender liners. Refer to the service information.
7. Remove the left and right rear bumper side spacers. Refer to the service information.
8. Remove the trunk floor mat. Refer to the service information.

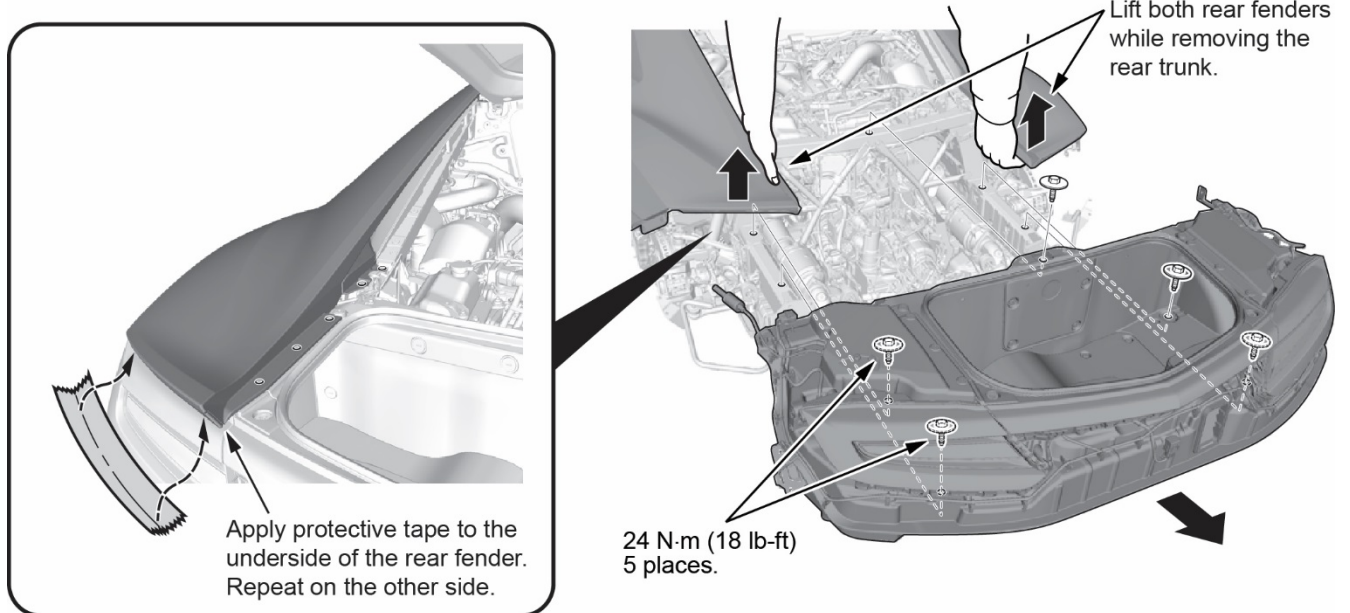
9. Remove the rear bumper absorber as shown.



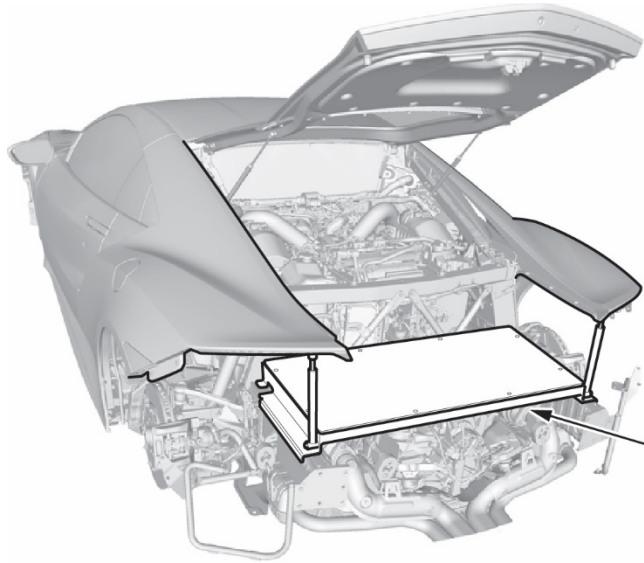
10. Remove the rear bumper beam. Refer to the Service Information.

11. Remove the rear trunk with the help of one or more assistants. Refer to the service information.

NOTE: Be careful not to damage the rear fenders and trim pieces during removal and installation of the trunk.



12. Install the rear platform.



Install the rear platform (T/N 07AAK-T6A100) to prevent damage to the rear fenders.

13. Remove the thermostat cover. Refer to the service information.

14. Remove the thermostat, and install the new one. Refer to the service information.

NOTE: Align the tab on the thermostat mounting rubber with the pin on the thermostat.

15. Refill and air bleed the engine coolant.

- Loosen the breathing plug (A) and the breathing bolt (B), then pour Acura Long Life Antifreeze/Coolant Type 2 into the expansion tank (C).

NOTE:

- Use Acura Long Life Antifreeze/Coolant Type 2, and if necessary add Honda Extreme Cold Weather Antifreeze/Coolant Type 2 (concentrate). Using a non-Acura/Honda coolant can result in corrosion, causing the cooling system to malfunction or fail.
- Acura Long Life Antifreeze/Coolant Type 2 is a mixture of 50 % antifreeze and 50 % water. Honda Extreme Cold Weather Antifreeze/Coolant Type 2 is a 100 % concentration coolant. Do not add water to either coolant.
- If the vehicle is regularly driven in very low temperatures (below -22 °F (-30 °C)), a 60 % concentration of coolant should be used.

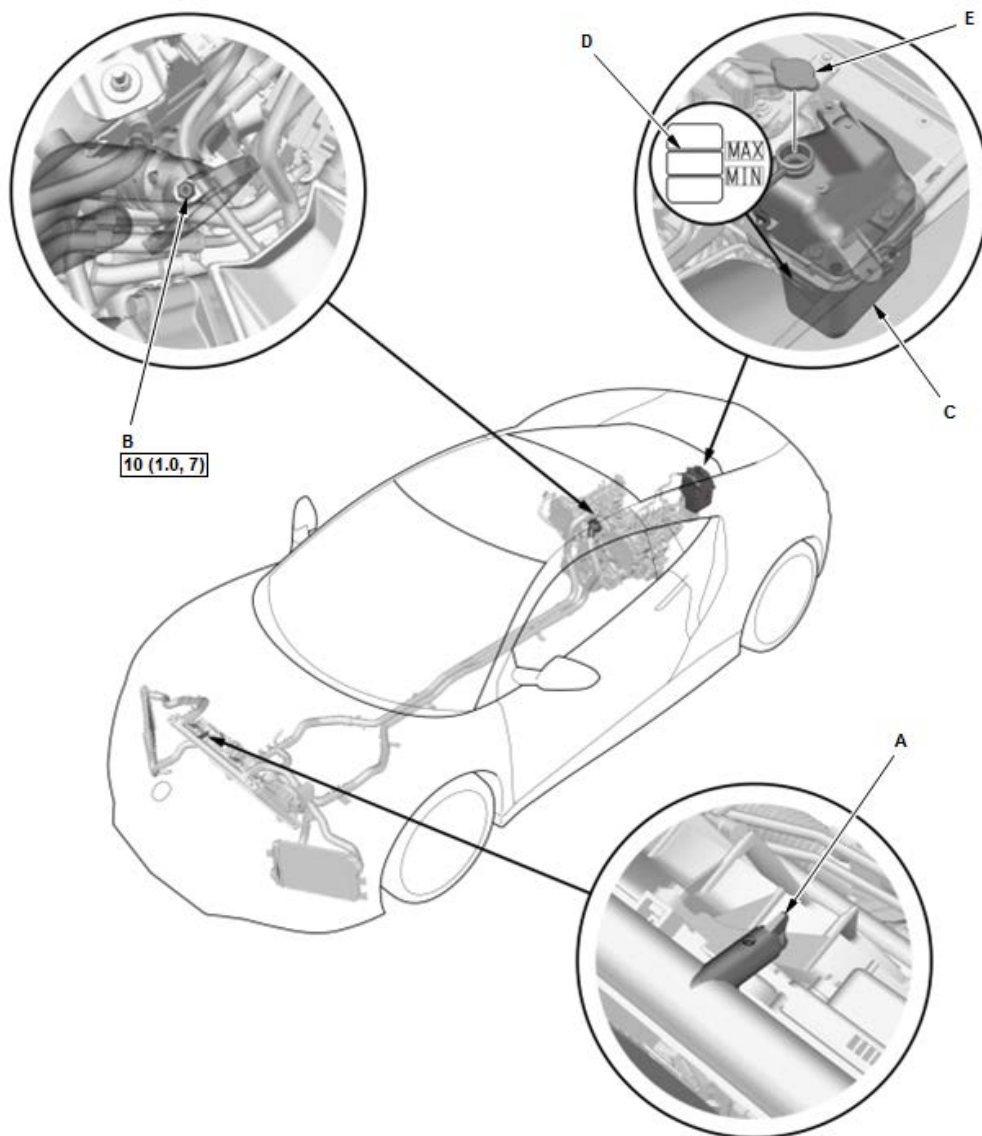
Operation	Vehicle Usage (Desired Mixture)	Current Mixture	Coolant Drain	Add Amount of Honda Extreme Cold Weather Antifreeze/Coolant Type 2 (100% concentrate)	Then add Acura Long Life Antifreeze/Coolant Type 2 (50/50)
Coolant Change	Normal Area (50/50)	50/50 60/40 unknown	Drain radiators, water center pipe, and engine block	None	Top off the cooling system
	Very Cold Area (60/40)	50/50 unknown 60/40	Drain radiators, water center pipe, and engine block	About 4.1 L (138 fl oz)	
About 3.1 L (105 fl oz)					
Engine Overhaul	Normal Area (50/50)	-	-	None	
	Very Cold Area (60/40)	-	-	About 4.1 L (138 fl oz)	
Coolant Winterizing	Very Cold Area (60/40)	50/50	Drain about 2.0 L (68 fl oz) from radiator	About 4.1 L (138 fl oz)	
		unknown*	Drain radiators, water center pipe, and engine block		

*: When you want to winterize the coolant with the minimum amount of coolant change but the current coolant concentration in the vehicle is unknown, you must drain all coolant from the cooling system.

Engine Coolant Refill Capacities (Including the expansion tank capacity of 1.3 L (0.34 US gal))

At Coolant Change: 15.5 L (4.09 US gal)

After Engine Overhaul: 20.4 L (5.39 US gal)



- When the coolant overflows from the breathing plug and the breathing bolt, tighten them.
- Add Acura Long Life Antifreeze/Coolant Type 2 into the expansion tank to the MAX mark (D) and keep the expansion tank cap (E) open.
- Turn the vehicle to the READY TO DRIVE mode.
- Select the SPORT+ mode.
- Turn on the air conditioner, set the heater temperature to maximum hot or defrost mode, and let it run until it warms up (the radiator fan comes on at least twice).
- Turn the vehicle to the OFF (LOCK) mode and wait until the engine is cool.
- Loosen the breathing plug and the breathing bolt, bleed the air, then tighten them.
- Refill Acura Long Life Antifreeze/Coolant Type 2 into the expansion tank to the MAX mark.
- Install the expansion tank cap.
- Turn the vehicle to the READY TO DRIVE mode.
- Select the SPORT+ mode.
- Turn on the air conditioner, set the heater temperature to maximum hot or defrost mode, and let it run until it warms up (the radiator fan comes on at least twice).
- Hold the engine speed at 3,000 rpm. After 1 minute, the engine speed will drop to idling speeds. Repeat this step 10 times.

- Turn the vehicle to the OFF (LOCK) mode after idling 1 minute.
- Wait until the engine is cool, then carefully remove the expansion tank cap and loosen the breathing plug and the breathing bolt, and bleed the air. After that, tighten the breathing plug and the breathing bolt.
- Refill Acura Long Life Antifreeze/Coolant Type 2 into the expansion tank to the MAX mark.
- Install the expansion tank cap.

16. Install all parts in the reverse order of removal. Refer to the service information.

END