

## PARTS LIST

Battery charger



Indicator harness



Bag



Bumper



3 Wire ties



Plate



10A Fuse



3 Accessory User's Information Manuals



## TOOLS AND SUPPLIES REQUIRED

Phillips screwdriver

Ratchet

10 mm Socket

10 mm Open end wrench

Utility knife

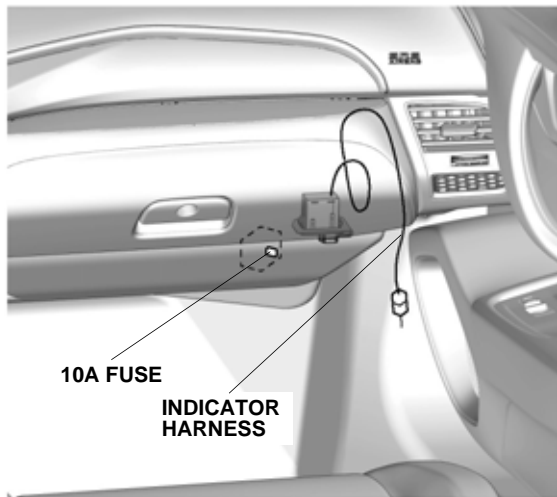
Diagonal cutters

Electrical tape

*The following tool is available through the Acura Tool and Equipment Program. On the iN, click on: Service > Service Bay > Tool and Equipment Program, then enter the number under "Search." Or, call 888-424-6857.*

- Trim Tool Set (T/N SOJATP2014)
- Plastic Trim Tool (T/N SILTRIMTL10)

## Illustration of the Battery Charger in the Vehicle



QE61701CT

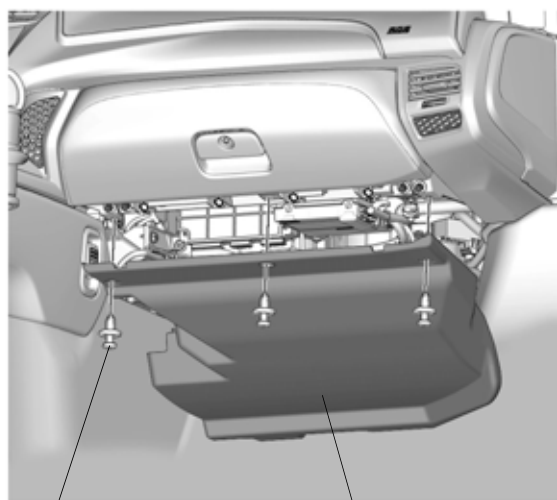
## INSTALLATION

**Client Information:** The information in this installation instruction is intended for use only by skilled technicians who have the proper tools, equipment, and training to correctly and safely add equipment to your vehicle. These procedures should not be attempted by “do-it-yourselfers.”

1. Disconnect the negative cable from the battery.

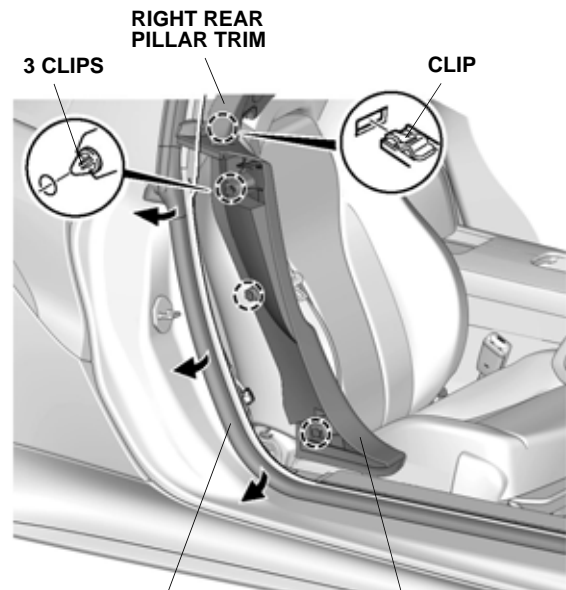
### Removing the Vehicle Parts

2. Remove the passenger's under cover.



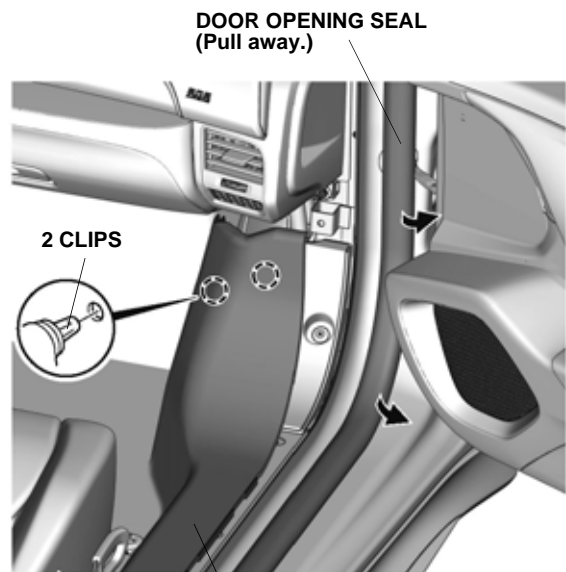
QE61709AJ

3. Pull away the door opening seal and remove the right rear side trim.



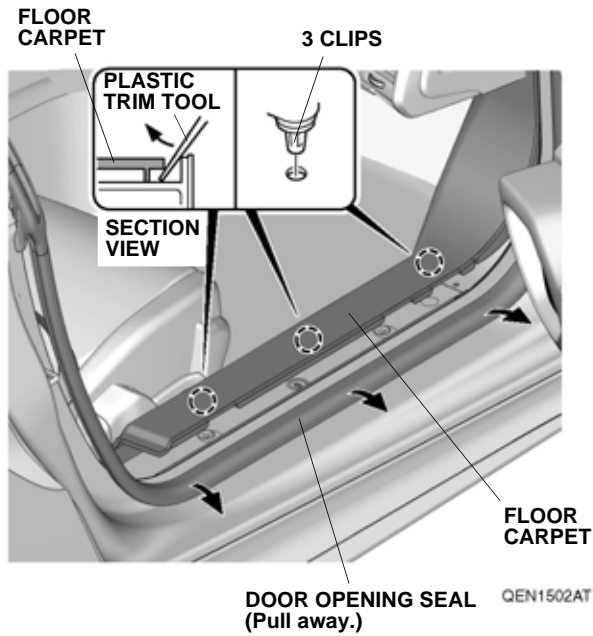
QEN1501AT

4. Pull away the door opening seal and lift up the floor carpet to release the two clips.

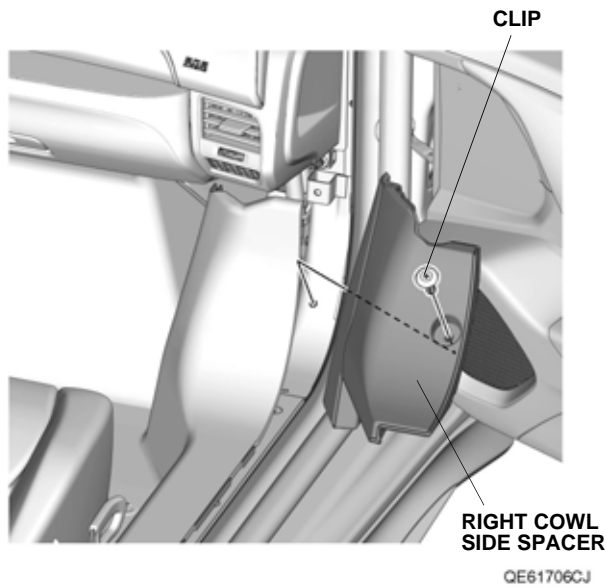


QE61705AJ

- Pull away the door opening seal. Using a plastic trim tool, lift up the floor carpet to release the three clips.

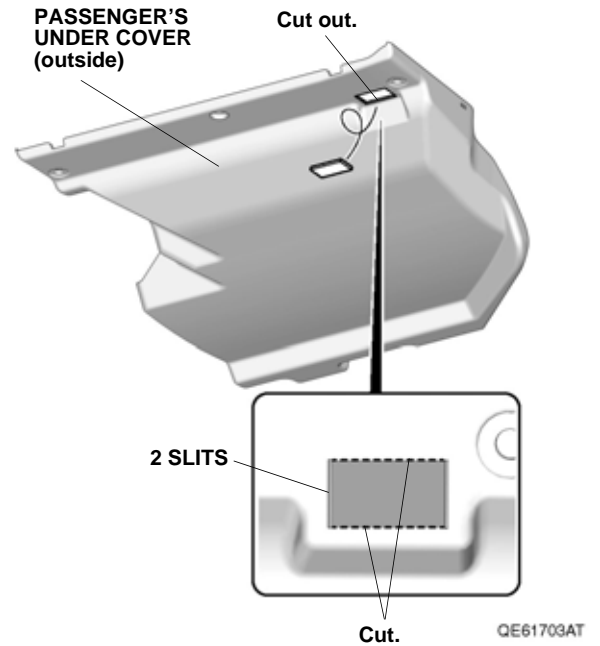


- Remove the right cowl side spacer.

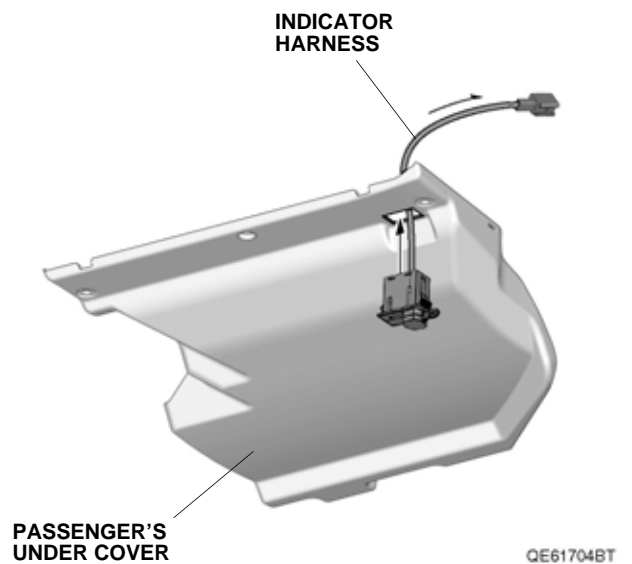


## Routing the Indicator Harness

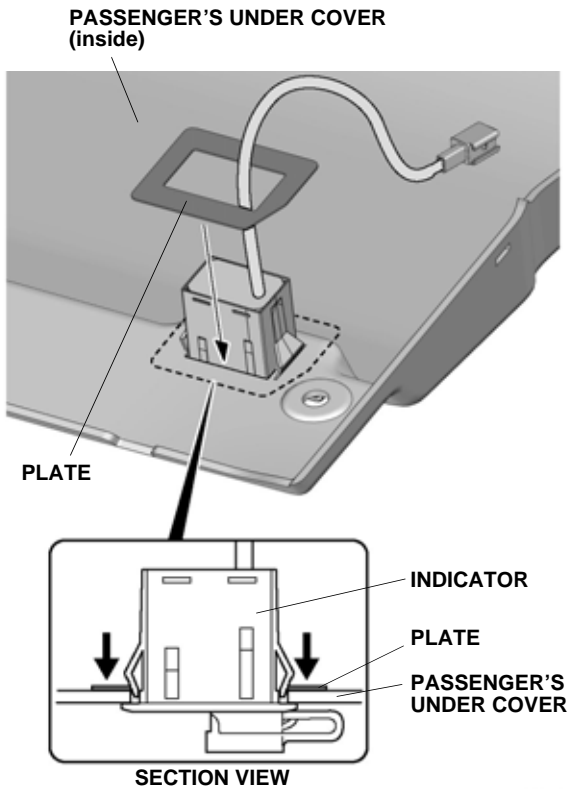
- Cut the passenger's under cover.



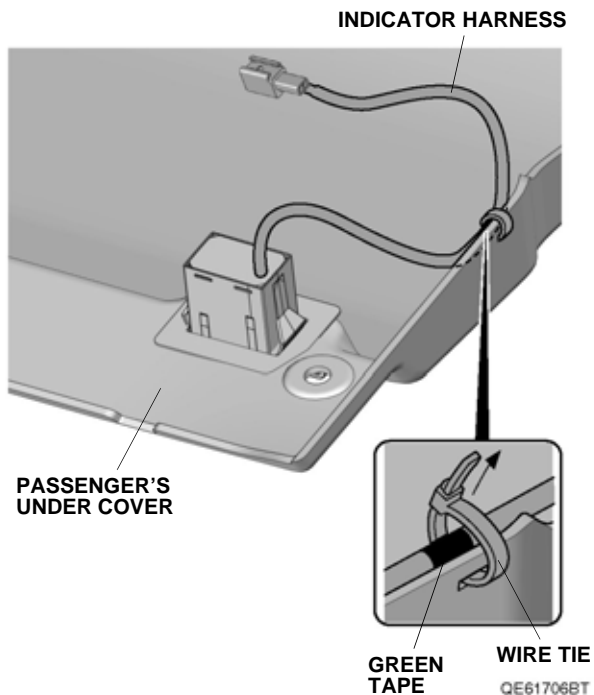
- Route the indicator harness through the passenger's under cover.



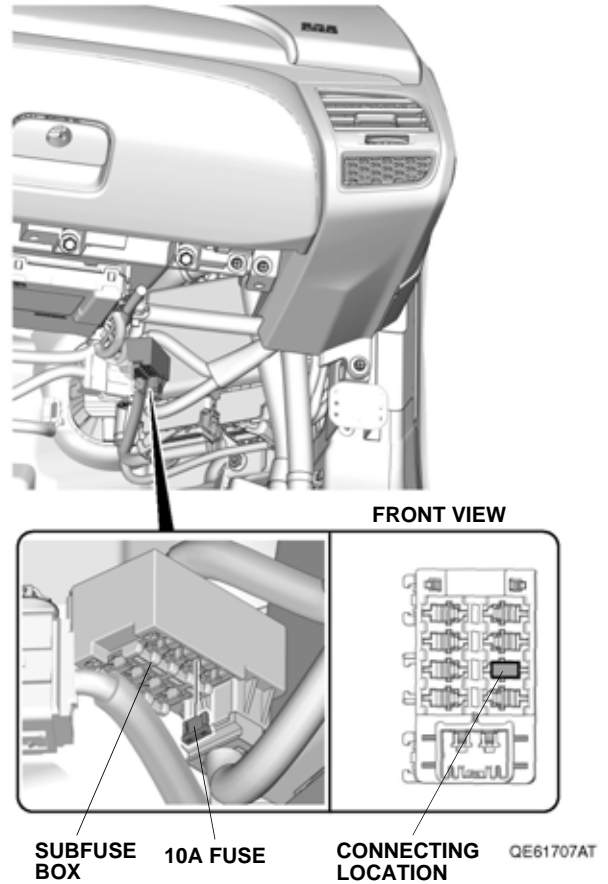
9. Install the plate.  
 NOTE: Make sure to install plate in the correct orientation.



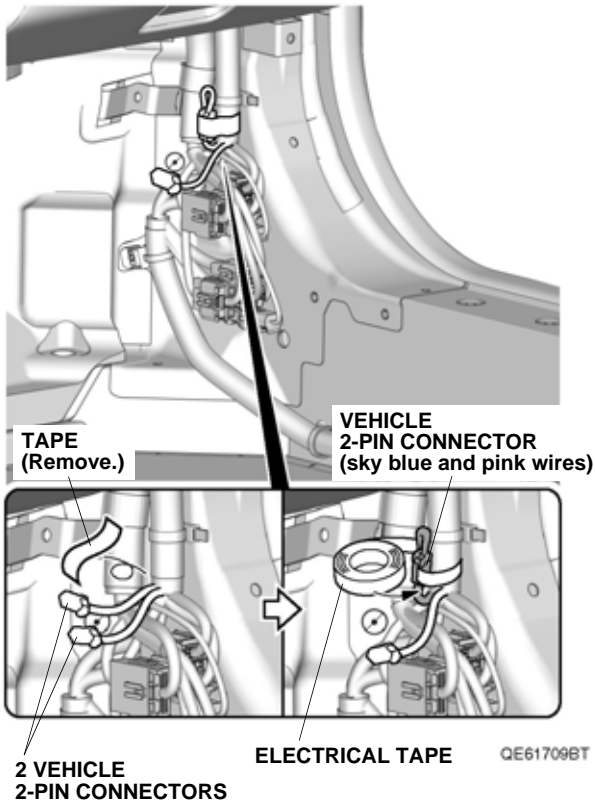
10. Secure the green tape section of the indicator harness to the passenger's under cover with one wire tie.



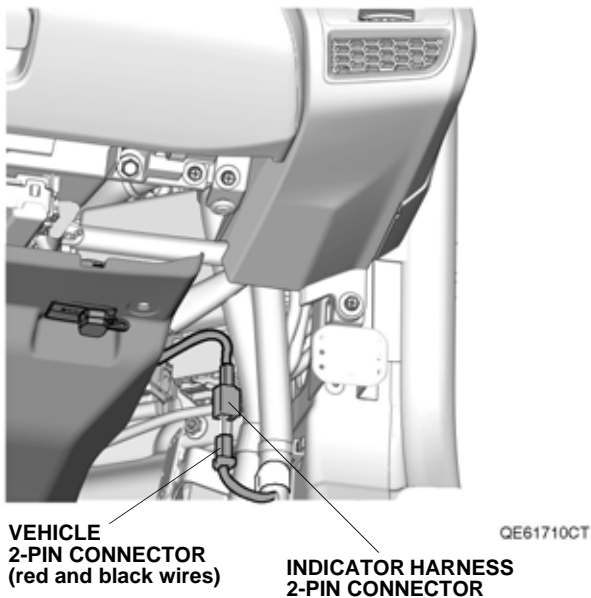
11. Plug the 10A fuse into the subfuse box.



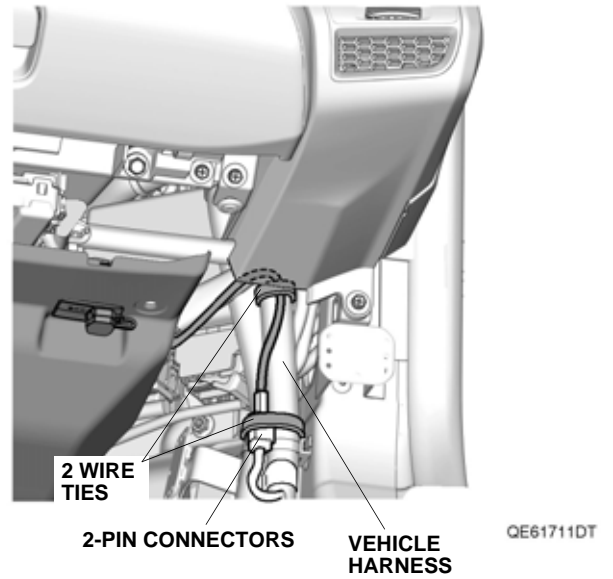
- Remove the tape from the vehicle 2-pin connectors.



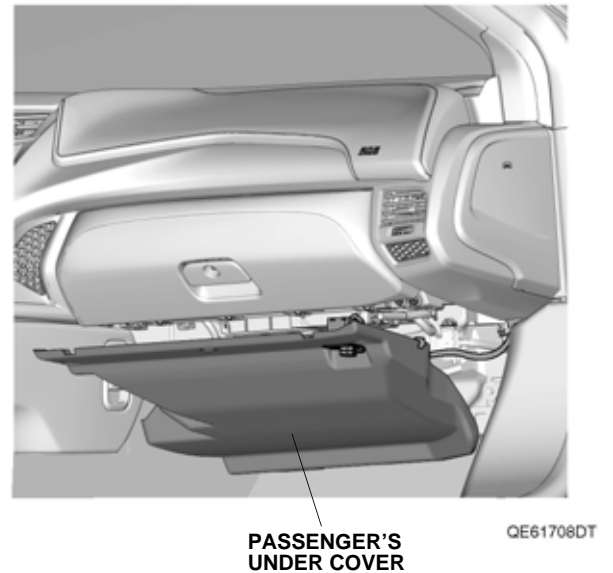
- Secure the vehicle 2-pin connector to the vehicle harness with electrical tape.
- Plug the vehicle harness 2-pin connector into the indicator harness 2-pin connector.



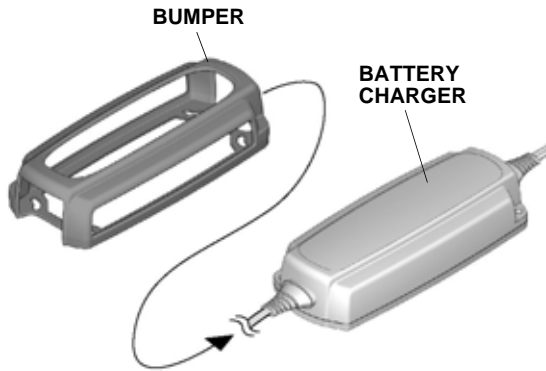
- Secure the 2-pin connectors and the indicator harness to the vehicle harness with two wire ties.



- Install the right cowl side spacer and floor carpet.
- Install the passenger's under cover.



18. Install the battery charger bumper.

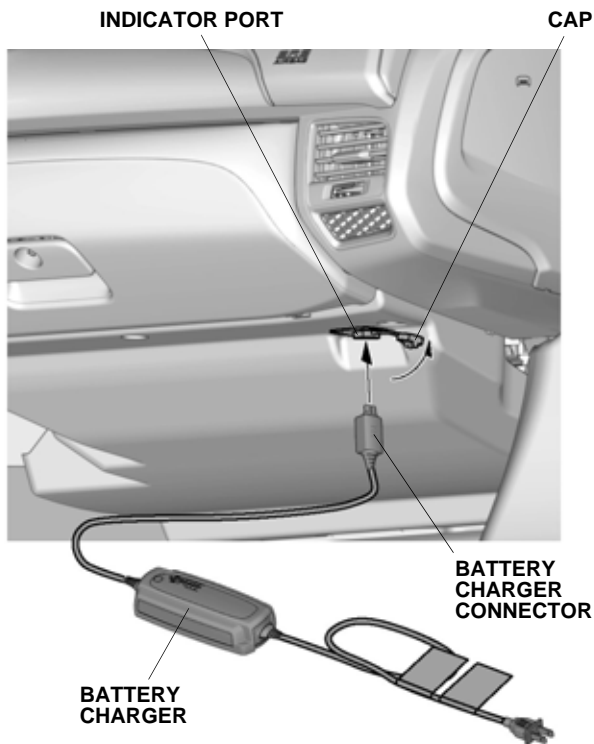


QF11321AH

19. Check that all wire harnesses are routed properly and all connectors are plugged in.
20. Install all removed parts.
21. Connect the negative cable to the battery.

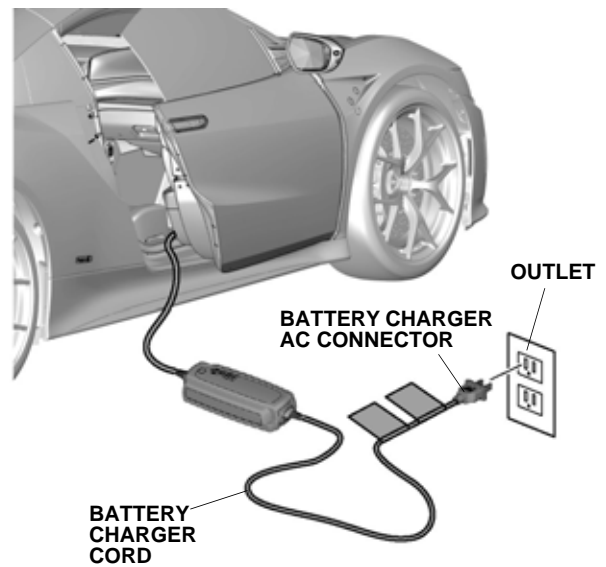
### Function Check

22. Open the cap and plug the battery charger connector into the indicator port.



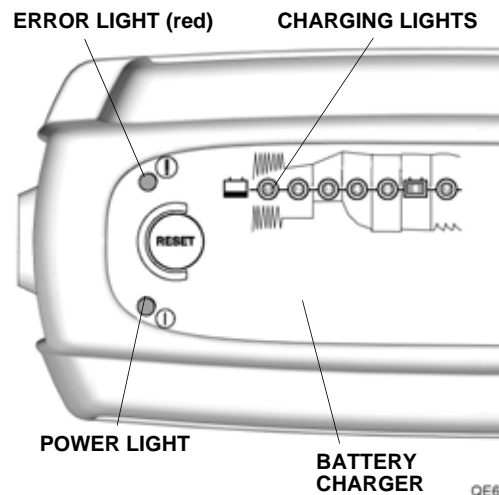
QE61712BT

23. Route the battery charger cord as shown. Plug the battery charger AC connector into the outlet.



QE61713CT

24. Monitor the battery charger status indicator lights. If the RED error light is on, refer to the Battery Charger User's Information Manual for troubleshooting. If the charging lights are progressing continue on to step 25.



QE61714BT

25. Press and hold the audio unit power button for 2 seconds to restore the audio and navi (if equipped) system functions.
26. Set the clock.
27. If necessary, restore the systems back to normal operation as described in the service information.
28. Place the Battery Charger User's Information Manual in the glove box.
29. Place the battery charger into the storage bag, and store it in the trunk.